

March 20, 2015

## Product change **EM types of EPCOS 2-electrode surge arresters**

The electrodes of the EM types of EPCOS 2-electrode surge arresters will be formed using a cold forming process in place of the current stamping process. The dimensions of the components remain unchanged with the exception of very minor modifications to the calotte of the outer electrodes. Details of the changes and the affected products are listed in the annex.

The change in the processing method will not affect the quality of the products or their electrical and mechanical characteristics. Type designations, ordering codes and delivery times likewise remain unchanged.

Scheduled date of introduction: June 20, 2015

### **Enclosure** PCN

Details of the change and list of affected products

**Contact** Wong Huan Chee, PPD AB PM, Johore Bahru

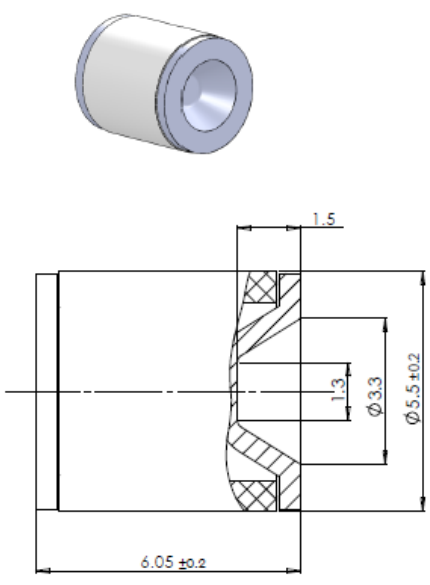
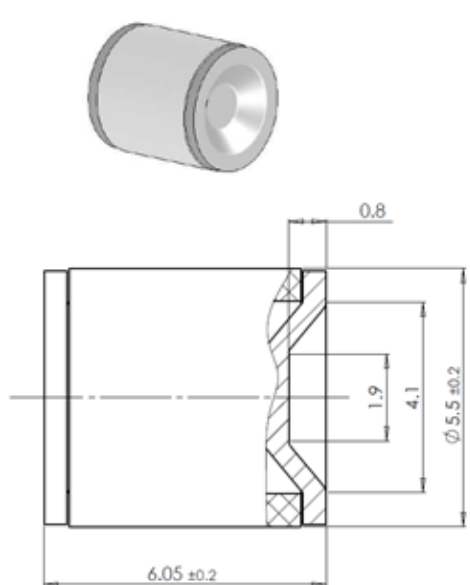
**Customers are asked to address inquiries directly to their sales contacts.**

## Product / Process Change Notification

<b>1. ID No.:</b> PPD 29/ T119		<b>2. Date of announcement:</b> March 20, 2015	
<b>3. Product / product group:</b> EM types of 2-electrode surge arresters See annex	<b>Old ordering code:</b> See annex	<b>New ordering code:</b> No change	<b>Customer part number:</b> N/A
<b>4. Description of change:</b> The electrodes of the EM types of EPCOS 2-electrode surge arresters will be formed using a cold forming process in place of the current stamping process. The dimensions of the components remain unchanged with the exception of very minor modifications to the calotte of the outer electrodes. The details of the change and the affected products are listed in the annex.			
<b>5. Effect on the product or for the customer (benefit, quality, specification, lead time):</b> The change in the processing method will not affect the quality of the products or their electrical and mechanical characteristics. Type designations, ordering codes and delivery times likewise remain unchanged.			
<b>6. Quality assurance measures / risk assessment:</b> The qualification is in accordance with our internal green-light quality procedure. The investigations for internal release showed no effects on the electrical and mechanical characteristics as a consequence of the change described in item 4. The established control plans will consequently not be changed. All quality assurance measures will be maintained.			
<b>7. Scheduled date of change:</b> June 20, 2015			
<b>8. Estimated date of first delivery of changed product:</b> June 20, 2015 If EPCOS does not receive notification to the contrary within a period of 10 weeks, EPCOS assumes that the customer agrees to the change. For an interim period we cannot rule out that old as well as new products will be shipped.			
Quality Management Name Markus Weiglhofer		Signature signed Weiglhofer	
Product Marketing Name Wong Huan Chee Tel. +60 7 3566 666 Email huanchee.wong@epcos.com		Signature signed Wong	
<b>Customer feedback</b>			
Customer acknowledgement		Signature	

**Annex to UPtoDATE 150320AB1 and PCN PPD 29/ T119 of March 20, 2015 /  
EM types of EPCOS 2-electrode surge arresters**

**Changes from current electrode to new electrode**

	Current	New
Processing method	Stamping electrode	Cold forming electrode
Design		

## Affected products

Type	Ordering code
EM2000X	B88069X5600S102
EM2000X6ST7	B88069X2933A802
EM2000X6ST7	B88069X2933A103
EM2500X	B88069X0440S102
EM2500XS	B88069X2500S102
EM2500XS	B88069X2500T502
EM2500XS	B88069X1603S102
EM2500XS	B88069X1603T502
EM2500X6S	B88069X5011S102
EM2500X6S	B88069X5011T502
EM2500X6SB2	B88069X4761B502
EM2500X6ST7	B88069X6741A103
EM2500X6ST7	B88069X6741A802
EM2700XS	B88069X7051S102
EM2700XS	B88069X7051T502
EM3000X	B88069X3431S102
EM3000X	B88069X3431T502
EM3000XB	B88069X6140B502
EM3000XS	B88069X6011S102
EM3000XS	B88069X6011T502
EM3000XS	B88069X4231T502
EM3000XS	B88069X4231S102
EM3000X6ST7	B88069X9401A103
EM3000X6ST7	B88069X9401A802
EM3000X6SP1	B88069X9241B502
EM3600X	B88069X2311S102
EM3600X	B88069X2311T502
EM3600XS	B88069X4241S102
EM3600XS	B88069X4241T502
EM3600XS	B88069X1493S102
EM3600XS	B88069X1493T502
EM3600X6S	B88069X5031B502
EM3600X6S	B88069X9481B502
EM3600X6S	B88069X9481T502
EM3600X6S	B88069X9481S102
EM3600X6SB2	B88069X4971B502
EM3600X6SB2	B88069X1333B502
EM3600X6SB7	B88069X1643B252
EM3600X6ST7	B88069X6751A802
EM3600X6ST7	B88069X6751A103
EM3600X6ST7	B88069X6751T103
EM3600X6ST7	B88069X1203A802
EM3600X6ST7	B88069X1203A103